

The OPL-6845 hand held laser bar code scanner incorporates several new features aimed at making the chore of scanning bar codes a less laborious one. Furthermore, the OPL-6845 is the first of a new breed of RoHS compliant devices from Opticon, showing the company's commitment to making products that are kinder to the environment. Opticon has developed a new generation of laser scan engine, which, when combined with the latest decoding software, provides

unsurpassed reading performance across a wide variety of different code types and qualities. The OPL-6845 automatically switches from triggered mode to hands free mode upon insertion into the easily assembled hands free stand that is supplied as standard. The implementation of a collapsible stand has significantly reduced the amount of packaging used for this product. Available in both black and (off) white, the OPL-6845 is the perfect match for all kinds of PC, whilst Wedge,

USB or RS232C interfaces guarantee a straightforward interface into both new and legacy systems.

1D LASER

OPL 6845

Laser scanner



Features

- RoHS compliance
- Enhanced scanning performance
- Collapsible modular stand
- 2 colours available

Benefits

- Kinder to environment
- Unsurpassed read rates
- Less packaging and therefor less waste
- Blends well with most systems

Cabled

Wireless

Stationary

OEM

OPTICON
always scanning for new ID's

OPL 6845 Laser scanner

Electrical specifications

Voltage requirement: 5 V ± 10%

Optical specifications

Light source: 650 nm visible laser diode

Scan rate: 100 scans/sec

Reading pitch angle: -51 - 0°, 0 - +43°

Reading skew angle: -65 - -2.6°, +3.6 - +66°

Reading rotation angle: -58 - 0°, 0 - +55°

Curvature: R>13 (EAN8), R>18 (EAN13)

Reading width: See D.O.F. diagram.

Min. Resolution at PCS 0.9: 0.127 mm (5 mil)

Min. PCS value: 0.45

Depth of field: 0 - 422 mm / 16.61 inches (Res.1.00), 0 - 286 mm / 11.25 inches (Res.0.50), 0 - 153 mm / 6.02 inches (Res. 0.25), 0 - 71 mm / 2.79 inches (Res. 0.15), 0 - 46 mm / 1.81 inches (Res. 0.127) at PCS 0.9, Code 39

Identification

Supported barcode symbologies (1D): JAN/UPC/EAN - Codabar - Code 39 - Code 93 - Code 128 - IATA - Industrial 2of5 - Interleaved 2of5 - Matrix 2of5 - Chinese Post Matrix 2of5 - MSI/Plessey - UK/Plessey - S-Code - Telepen - Tri-Optic

Communication specifications

Interfaces: Keyboard Wedge, RS232C, USB (HID)

Environmental specifications

Temperature in operation: -5 - +50°C / +23 - +122 F

Temperature in storage: -20 - +60°C / -4 - +140 F

Humidity in operation: 20 - 80 % (non condensing)

Humidity in storage: 10 - 90 % (non condensing)

Ambient fluorescent light immunity: 3,000 lx max.

Ambient direct sun light immunity: 50,000 lx max.

Antistatic electricity: 15 kV (non destructive)

Shock drop test: 1.5 m drop onto concrete surface

Protection against dust and moisture, According to IEC529: IP 42

Physical specifications

Dimensions: 32 x 57 x 159 mm / 1.26 x 2.24 x 6.26 inches

Weight body: 90 g / 0.19 pounds

Available colors: Black/ White

Connector Keyboard Wedge: MINI DIN 6 M/F

Connector RS232: DB9 F with external power

Connector USB: USB-A

Stand

Dimensions: ST-62 (w x d): 160 x 190 mm / 6.29 x 7.48 inches, (h) : 245 mm / 9.64 inches (excl. scanner)

Weight: 290g / 0.63 pounds

Purpose: Auto trigger stand

Available colors: Black/ White

Regulatory

Laser safety class: IEC 825, Class I laser product

EMC: EN 55022, EN 55024

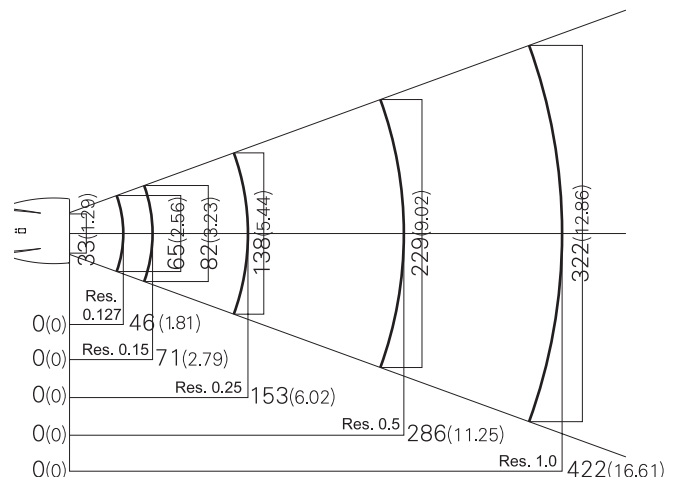
Typical performance based on good quality symbols in normal room temperature and light conditions.

Enclosed items

Auto trigger stand: ST-62

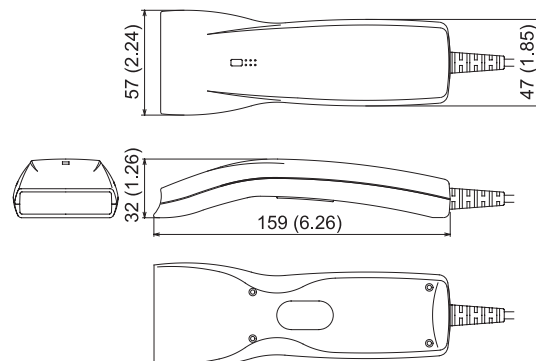
Depth of field

The reading width is a calculated value and is for guidance only.
Unit: mm (inches)



Dimensions

Unit: mm (inches)



Accessories

Sold separately

Power supply: 5V/500mA (External power for RS232)